

**For 51004, 51007HOM, 51009HOM, 51032HOMGB, 51036HOMUS
51044HOMUS and 51055HOMEU User Manual Design 1**
size: Folded 85(w) x 115(h) MM
雙面單色印刷



參考摺法



PLEASE DO NOT RETURN THIS PRODUCT!

There are good days and there are bad days.
It is our BAD if the product is not working,
or if you are not happy with it.

For the installation and operation video, please visit
fosmon.com/wavelinkhelp, or scan the QR code.



Contact us:
☎1-833-3-FOSMON (833-336-7666)
☎(612) 435-7508
✉support@fosmon.com

Thank you for purchasing this Fosmon product. This guide will help you to familiarize yourself with all the features and functions of your newly purchased product.

Product Features

- Maximum 500 feet or 150 meters operating range in open area
- 58 unique chime tunes
- 5 volume levels
- LED indicators

Package Contents

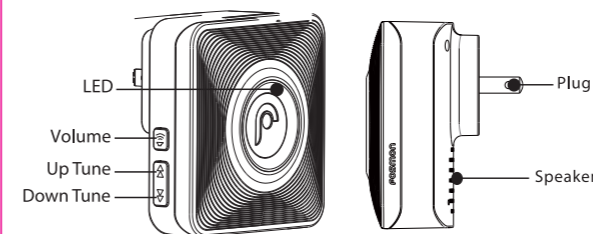
- One (1) receiver and one (1) door sensor transmitter for 51004HOM/51009HOM/51032HOMGB/51055HOMEU
- One (1) receiver and two (2) door sensor transmitters for 51007HOM/51044HOMUS
- Two (2) receivers and two (2) door sensor transmitters for 51036HOMUS
- Includes double sided tape, anchors, screws, and battery for transmitter

Specifications

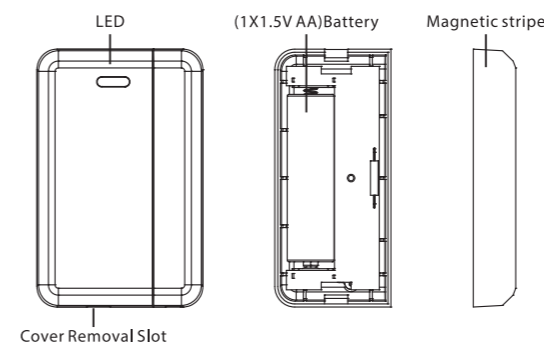
| | |
|-------------------------------|---|
| Receiver Voltage | AC 100v-250v |
| Transmitter Battery | AA 1.5V Alkaline Battery |
| Transmitter power consumption | <10mW |
| Volume range | 0 to 110dB |
| Operating Frequency | 433 MHz ± 2MHz |
| Operating Temperature | 5°F to 140°F or -15°C to 60°C |
| Operating Range (Max) | 500 feet or 150 meters in open area |
| Dimension | Receiver: 3.17 x 3.19 x 1.12in or 80.5 x 81 x 28.5mm Transmitter: 2.95 x 1.97 x 0.63in or 75 x 50 x 18mm |
| Weight | Receiver: 3.03oz or 86g Transmitter: 0.92oz or 26g |

Product Diagram

Structure of Receiver



Structure of Transmitter



How to Install Fosmon Receiver

1. To install the receiver, pick a location away from induction cookers, microwaves, televisions, radios, and other electronics which produce magnetic field or interfering signals. Avoid installing receiver close to any metal objects that block signal transmission.
2. Plug the receiver into a standard wall outlet.
3. Insert battery into the transmitter and perform a few tests at the location where you want to install the transmitter to make sure it is not out of range.

How to Install Fosmon Transmitter (Method 1)

1. Clean the surface where you want to install the transmitter thoroughly.
2. Secure the transmitter using the included double sided tape to complete the installation.

How to Install Fosmon Transmitter (Method 2)

1. Tools needed: Drill, Phillips screwdriver, Slotted screwdriver.
2. Use a slotted screwdriver to open the cover of the transmitter. Remove battery and locate the wall mount holes.
3. Use the drill to drill through the two wall mount holes.
4. Secure the transmitter to the mounting surface using the included anchors and screws.
5. Snap the cover of the transmitter back to its base to complete the installation.

Operating Instructions

1. Volume Adjustment
 - Press the [Volume] button to cycle through the 5 volume levels, including mute mode.
2. Chime Tunes Selection
 - Press the [Up Tune] or [Down Tune] button to select the desired tune.
3. Pairing and Changing Tunes
 - Press the [Up Tune] or [Down Tune] button to select the desired tune.
 - Press the [Volume] and [Down Tune] buttons simultaneously, and then release them afterwards.
 - Trigger the transmitter (sensor) by separating the two parts of the transmitter while the LED on the receiver is still flashing. The LED will stop flashing after being paired or after 5 seconds.
4. Reset
 - Press and hold the [Down Tune] button for 5 seconds to reset all settings.

Troubleshooting

1. Receiver does not ring
 - Transmitter battery might be low. Replace transmitter's battery.
 - Re-sit receiver from wall outlet.
2. Short operating range
 - There might be too many objects between the receiver and the transmitter. Try relocating objects or change the location of the receiver or transmitter.
 - Transmitter battery might be low. Replace transmitter's battery.

Installation and Safety Precautions

- Do not insert sharp objects or spill liquid on the product. This may cause accidental fire, electric shock, or failure.
- Do not attempt to service this product yourself. Attempt to open, remove, or modify this device may expose you to potential electric shock.
- Keep this product out of reach of children.

Limited Lifetime Warranty

This product includes a Limited Lifetime Warranty. Visit fosmon.com/warranty for Product Registration, warranty, and limited liability details.

Recycling the Product

To dispose this product properly, please follow the recycling process regulated in your area.

FCC Information

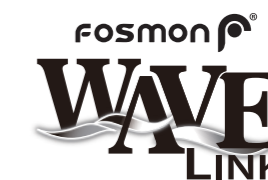
This device complies with Part 15 of the FCC Rules. Operation is subject to the following two conditions: (1) this device may not cause harmful interference, and (2) this device must accept any interference received, including interference that may cause undesired operation.

Follow Us On Social Media

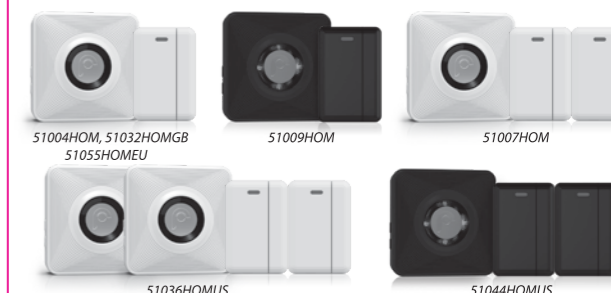


www.fosmon.com
support@fosmon.com
© 2019 Fosmon Inc. All rights reserved.
All trade names are registered trademarks of respective manufactures listed.

COVER



**Door Sensor
Wireless Doorbell
User Manual**



for 51004HOM, 51007HOM, 51009HOM, 51032HOMGB,
51036HOMUS, 51044HOMUS, and 51055HOMEU